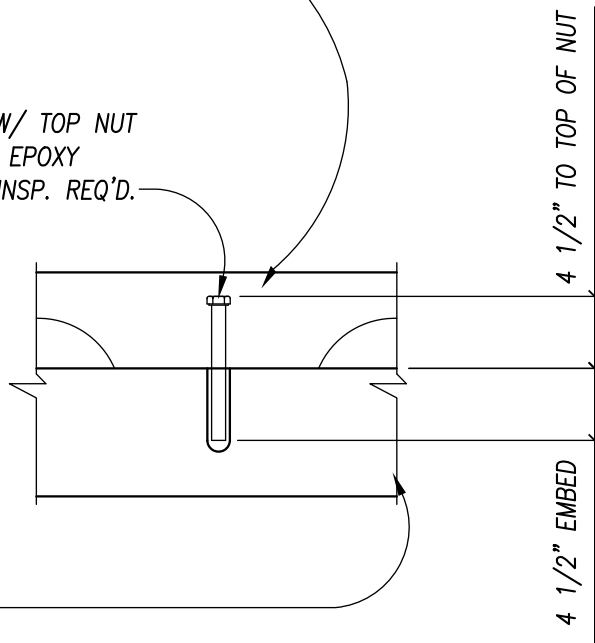


OMIT AIRFLOOR FORM @ 10'-0" O/C &
PROVIDE CONNECTION AS SHOWN

5/8"Ø THRD. ROD (A307/A36) W/ TOP NUT
INSTALLED W/ SIMPSON SET XP EPOXY
(ESR-2508/RR25744) SPECIAL INSP. REQ'D.

**@10'-0" O.C



STRUCTURAL SLAB BY OTHERS
(8" MIN. THICKNESS)

NOTE: STEPS SHALL BE TAKEN TO PREVENT THE
PUNCTURING OF ANY P/T TENDON OR
MILD STEEL REINFORCEMENT DURING
DRILLING FOR EPOXY ANCHORS.

AIRFLOOR ANCHORAGE TO ELEVATED CONCRETE SLAB



Project:

AIRFLOOR

1135 Harbor Hills Lane, Santa Barbara, Ca. 93109

STRUCTURAL ENGINEERING SOLUTIONS



Southern California Office
45901 Sandia Creek Drive
Temecula, CA 92590

Phone: 951.699.2666
Fax: 951.699.2655

Date: 8/2/2010

Job No. 07-008

Scale: 1" = 1'-0"

Sheet No.

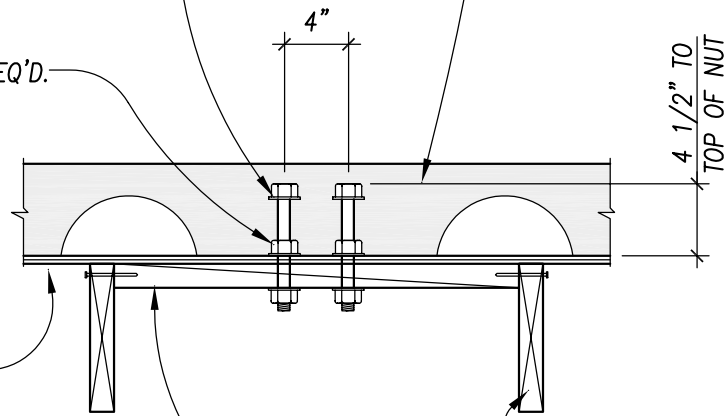
Sx-1

(2) 3/4"Ø THRD. ROD (A307/A36)
 WITH NUT TOP & BOTTOM
 ** @ 6'-0" O.C.

OMIT AIRFLOOR FORM
 @ 6'-0" O/C & PROVIDE
 CONNECTION AS SHOWN

INTERMEDIATE SET NUTS IF REQ'D.

23/32 MIN.
 FLOOR SHEATHING



DIM. LUMBER OR TJI JOISTS

2x6 FLAT BLOCKING W/
 (2) 10d EA. END MIN.

AIRFLOOR ANCHORAGE TO WOOD FLOOR

Copyright © 2007 by Structural Engineering Solutions



DATE SIGNED: 08/28/07

Project:

AIRFLOOR

1135 Harbor Hills Lane, Santa Barbara, Ca. 93109



STRUCTURAL ENGINEERING SOLUTIONS

Southern California Office
 45901 Sandia Creek Drive
 Temecula, CA 92590

Phone: 951.699.2666
 Fax: 951.699.2655

Date: 08/28/07

Job No. 07-008

Scale: 1" = 1'-0"

Sheet No.

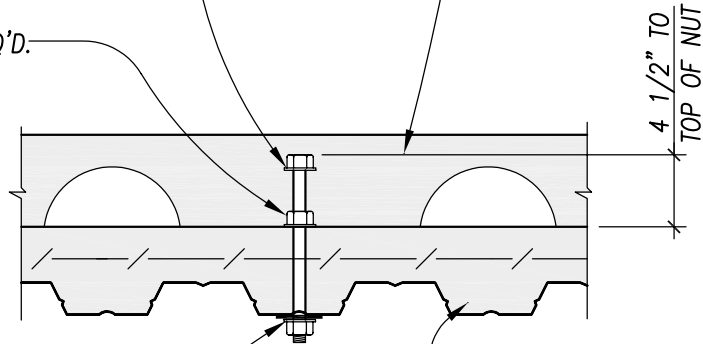
SX-2

5/8"Ø THRD. ROD (A307/A36)
WITH TOP NUT

** @ 10'-0" O.C.

INTERMEDIATE SET NUTS IF REQ'D.

OMIT AIRFLOOR FORM
@ 10'-0" O/C & PROVIDE
CONNECTION AS SHOWN



CONCRETE & METAL DECK BY OTHERS
(2" MIN. CONC. OVER DECK)

NUT & WASHER

NOTE: BOLT MUST BE PLACED AT LOW POINT OF FLUTE W/ FULL CONC. THICKNESS.

AIRFLOOR ANCHORAGE TO CONCRETE/METAL DECK

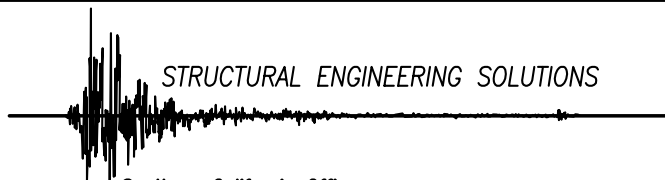


DATE SIGNED: 08/28/07

Project:

AIRFLOOR

1135 Harbor Hills Lane, Santa Barbara, Ca. 93109



STRUCTURAL ENGINEERING SOLUTIONS

Southern California Office
45901 Sandia Creek Drive
Temecula, CA 92590

Phone: 951.699.2666
Fax: 951.699.2655

Date: 08/28/07

Job No. 07-008

Scale: 1" = 1'-0"

Sheet No.

SX-3